

LTE50E SERIES

50W DESKTOP AC ADAPTOR

INPUT&OUTPUT SPECIFICATION:

Input Voltage: AC 100Vac ~ 240 Vac 50/60Hz

Output Power : 50W

Output Voltage : 9.0V / 12V / 19V / 24V / 48V

Voltage Regulation: +/- 5%

GENERAL SPECIFICATION:

Operating Temperature: 0~40°C

Operating Relative Humidity: 5~95% RH

Storage Temperature: -40 ~ 85 °C

Over Current Protection:

Auto Recovery at 120%~200% of Rated Load

Over Voltage Protection: Auto Recovery

Short Protection: Auto Recovery

Withstanding Voltage:

1500Vac (Class I) & 300Vac (Class II)

Insulation Resistance:100MOhm min @ DC 500V

Leakage Current:

0.75mA Max (Class I) 0.25mA Max(Class II)

EMI: FCC & CISPR22 CLASS B

EMS: EN 61000-4-2, -3, -4, -5, -6, -11

Efficiency: Meet **CEC LEVEL IV**

82% (by model) Min@ 115Vac and Rated Load

82% (by model) Min @ 230Vac and Rated Load

No Load Standby Power: 0.5W Max @ 230Vac

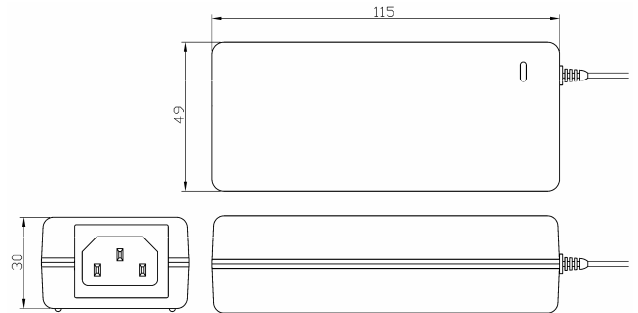
DIMENSION (W x L x H mm)

115 x 49 X 30 mm

AC INLET TYPE: IEC 320 C6 / C8 / C14 (OPTIONAL)



Mechanical Drawing:



LTE50E MODEL LIST

MODEL	VOLTAGE	CURRENT
LTE50E-SY	9.0V	5.0A
LTE50E-S2	12V	4.17A
LTE50E-SW	19V	3.63A
LTE50E-S4	24V	2.08A
LTE50E-S5	48V	1.04A

SAFETY STANDARD & QUALITY APPROVALS:

