

## LTE18E SERIES

### 18W DESKTOP AC ADAPTOR

#### INPUT&OUTPUT SPECIFICATION:

Input Voltage: AC 100Vac ~ 240 Vac 50/60Hz

Output Power : 18W

Output Voltage : 3.3V / 5.0V / 6.3V / 9.0V / 10.5V /  
12V / 15V / 24V

Voltage Regulation: 3.0% ~ 6% by Model

#### GENERAL SPECIFICATION:

Operating Temperature: 0~40°C

Operating Relative Humidity: 5~95% RH

Storage Temperature: -40 ~ 85 °C

Over Current Protection:

Auto Recovery at 120%~200% of Rated Load

Over Voltage Protection: Auto Recovery

Short Protection: Auto Recovery

Withstanding Voltage: 300Vac (Class II)

Insulation Resistance:100MOhm min @ DC 500V

Leakage Current: 0.25mA Max(Class II)

EMI: FCC & CISPR22 CLASS B

EMS: EN 61000-4-2, -3, -4, -5, -6, -11

Efficiency: Meet **CEC LEVEL IV**

65% ~ 80% (by model) Min@ 115Vac and Rated Load

65% ~ 80% (by model) Min @ 230Vac and Rated Load

No Load Standby Power: 0.5W Max @ 230Vac

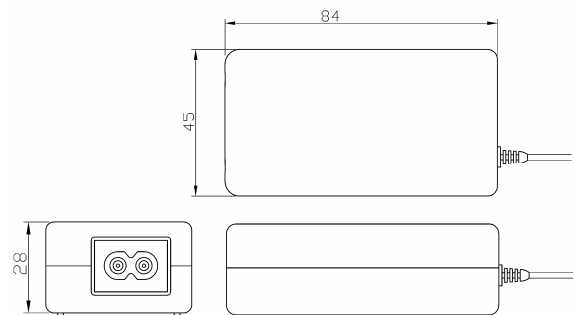
#### DIMENSION (W x L x H mm)

84 x 45 x 28 mm

**AC INLET TYPE:** IEC 320 C8



**Mechanical Drawing:**



#### LTE18E MODEL LIST

MODEL	VOLTAGE	CURRENT
LTE18E-S0	3.3V	3.5A
LTE18E-S1	5.0V	3.0A
LTE18E-SU	6.3V	2.0A
LTE18E-SY	9.0V	2.0A
LTE18E-SN1	10.5V	1.5A
LTE18E-S2	12V	1.5A
LTE18E-S3	15V	1.2A
LTE18E-S4	24V	0.75A

#### SAFETY STANDARD & QUALITY APPROVALS:

