

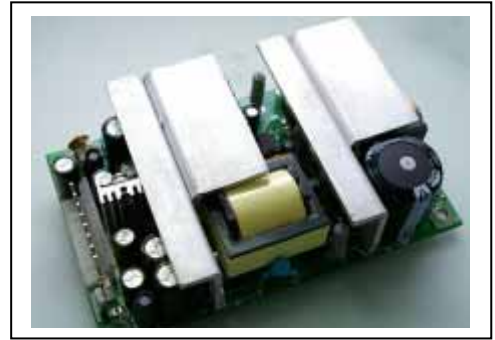
LTE60S-Q12 AC/DC Switching Power Supplies

INPUT SPECIFICATIONS :

VOLTAGE	90-264 VAC, UNIVERSAL
FREQUENCY	AUTO RANGING
CURRENT	2.0 ARMS. MAX. @115VAC 60W LOAD 1.0 ARMS. MAX. @230VAC 60W LOAD

OUTPUT SPECIFICATIONS :

OUTPUT WATTAGE	60 WATTS MAX. (CONVECTION RATING)
LINE REGULATION	+/- 1.0% TYPICAL
LOAD REGULATION	MAIN OUTPUTS +/- 5%, AUX. OUTPUTS +/- 10% TYPICAL (NOTE1)
NOISE & RIPPLE	1% TYPICAL AT FULL LOAD (NOTE2)
OVERSHOOT/UNDERSHOOT	5% MAX. @ TURN-ON/ TURN-OFF



VOLTAGE		LOAD RANGE (A)			LINE REGULATION	LOAD REGULATION (NOTE 2)	RIPPLE & NOISE (NOTE 3)
(Vdc)		MIN	MAX	PEAK (N1)			
V1	+3.3 V	0A	4.0 A	5.0 A	±1.0 %	3.135~3.465Vdc (±5.0%)	100mVp-p (3%)
V2	+5.0 V	0A	3.0 A	3.5 A		4.75~5.25Vdc (±5.0%)	100mVp-p (2%)
V3	+12 V	0A	2.0 A	2.5 A		11.4~12.6Vdc (±5.0%)	120mVp-p (1%)
V4	-12 V	0A	0.6 A	1.0 A		-11.4~-12.6Vdc (±5.0%)	240mVp-p (1%)

- Note :**
1. Peak current lasting <30 seconds with a maximum 10% Duty Cycle.
 2. Cross/Load regulation is tested at 10% to 100% of rated load and other outputs are set at 50% of rated load.
 3. Peak-to-peak for 60W (convection rating) @90Vac MIN. ; Measurements with a 20MHZ bandwidth and terminated with a 10uF electrolytic CAP. in parallel with a 0.1uF ceramic Cap.
 4. V2 (+5V) adjustable range by potentiometer.
 5. At factory, the V1 (+3.3V) output is set between +3.234V to +3.366V at Max. load and nominal line input (115Vac) , and the other output should be within the accuracy voltage range.

ENVIRONMENTAL :

OPERATING TEMPERATURE : -5°C TO 50°C AMBIENT, DERATED EACH OUTPUT AT -1.0% PER °C FROM -40°C TO 85°C
 STORAGE TEMPERATURE : -40°C TO 85°C
 HUMIDITY : OPERATING, NON-CONDENSING, 5% TO 95%
 VIBRATION : RANDOM OPERATING 2.4 GRMS/MAX. 3 AXES 50~500Hz 10 MINUTES/AXIS
 SHOCK : OPERATING HALF SINE 20 GPK/MAX. 3 AXES 10ms 6 SHOCKS TOTAL

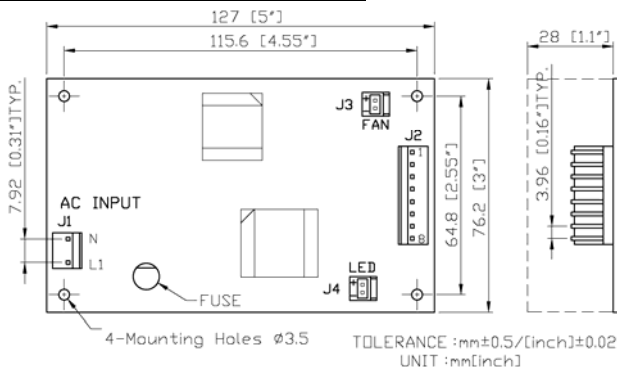
GENERAL SPECIFICATIONS :

EFFICIENCY : @115VAC WITH FULL LOAD >74 %, AND @230VAC WITH FULL LOAD >76 %
 TURN-ON TIME : @115 VAC WITH FULL LOAD < 3SEC
 HOLD-UP TIME : @115VAC WITH CONVECTION RATING >16MSEC

ELECTROMAGNETIC COMPATIBILITY SPECIFICATIONS :

EMI CONDUCTED/RADIATED : FCC & CISPR CLASS A, EN55022 & EN55011 CLASS B
 DESIGNED TO MEET EN61000-3-2, -3-3, -4-2, -3, -4, -5, -6, -11
 DESIGNED TO MEET SAFETY APPROVAL UL 60950, CUL 60950, TUV EN60950, IEC 60950, CB CERTIFICATE REPORT, CE

MECHANICAL SPECIFICATION



LITONE (LTE) ELECTRONICS CO., LTD

Please visit our website <http://www.lte.com.tw> E-MAIL: service@lte.com.tw Tel:+886-2-26732512