

# LTE50S-S2 AC/DC Switching Power Supplies

## INPUT SPECIFICATIONS :

VOLTAGE 90-264 VAC, UNIVERSAL  
 FREQUENCY AUTO RANGING  
 CURRENT 1.2 ARMS. MAX. @115VAC 50W LOAD  
 0.8 ARMS. MAX. @230VAC 50W LOAD

## OUTPUT SPECIFICATIONS :

OUTPUT WATTAGE 50 WATTS MAX. (CONVECTION RATING)  
 LINE REGULATION +/-1.0% TYPICAL  
 LOAD REGULATION MAIN OUTPUTS +/- 5%, AUX.  
 OUTPUTS +/- 10% TYPICAL (NOTE1)  
 NOISE & RIPPLE 1% TYPICAL AT FULL LOAD (NOTE2)  
 OVERSHOOT/UNDERSHOOT 5% MAX. @ TURN-ON/ TURN-OFF



VOLTAGE (Vdc)	LOAD RANGE (A)			LINE REGULATION	LOAD REGULATION (NOTE1)	RIPPLE & NOISE (NOTE 2)
	MIN	MAX	PEAK			
V1 +12V	0A	4.167A	4.6A	±1.0%	11.64~12.36 Vdc (±3.0%)	120mVp-p (1%)

**Note :** 1. Peak current lasting <30 seconds with a maximum 10% Duty Cycle.  
 2. Peak-to-peak for 50W (convection rating) @90Vac MIN. ; Measurements with a 20MHZ bandwidth and terminated with a 10uF electrolytic CAP. in parallel with a 0.1uF ceramic Cap.

## ENVIRONMENTAL :

OPERATING TEMPERATURE : 0°C TO 40°C AMBIENT, DERATED EACH OUTPUT AT -1% PER °C FROM 40°C TO 50°C  
 STORAGE TEMPERATURE : -40°C TO 85°C  
 HUMIDITY : OPERATING, NON-CONDENSING, 5% TO 95%  
 VIBRATION : RANDOM OPERATING 2.4 GRMS/MAX. 3 AXES 50~500Hz 10 MINUTES/AXIS  
 SHOCK : OPERATING HALF SINE 20 GPK/MAX. 3 AXES 10ms 6 SHOCKS TOTAL

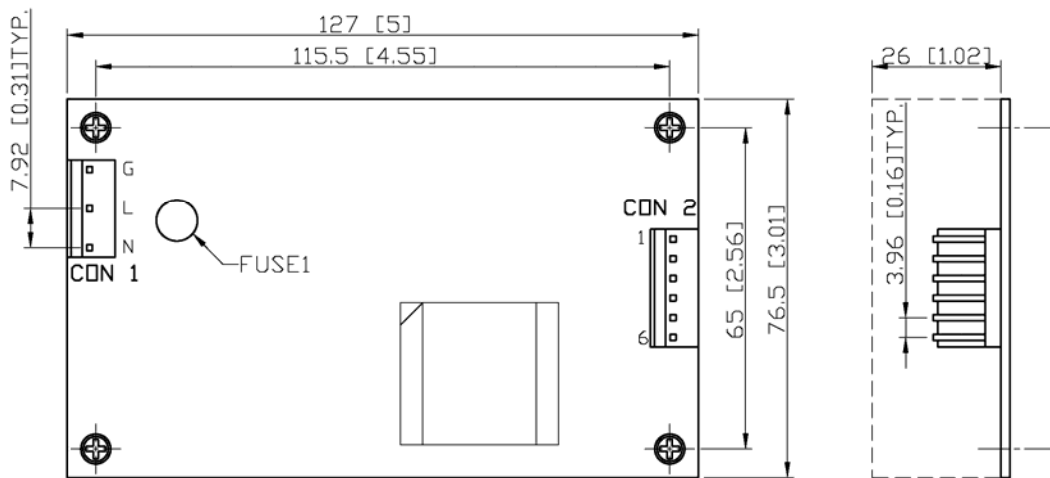
## GENERAL SPECIFICATIONS :

EFFICIENCY : @115VAC WITH FULL LOAD >78 %, AND @230VAC WITH FULL LOAD >80%  
 TURN-ON TIME : @115 VAC WITH FULL LOAD < 3 SEC  
 HOLD-UP TIME : @115VAC WITH CONVECTION RATING >16MSEC

## ELECTROMAGNETIC COMPATIBILITY SPECIFICATIONS :

EMI CONDUCTED/RADIATED : FCC PART15 & CISPR 22 & EN55022 CLASS B  
 DESIGNED TO MEET EN61000-3-3,-4-2,-3,-4,-5,-6,-11  
 DESIGNED TO MEET THE FOLLOWING STANDARD UL 60950, CUL 60950, TUV EN60950, CB, CE MARKED.

## MECHANICAL SPECIFICATION



TOLERANCE : mm±0.5/[inch]±0.02  
 UNIT : mm[inch]

LITONE (LTE) ELECTRONICS CO., LTD

Please visit our website <http://www.lte.com.tw> E-MAIL: [service@lte.com.tw](mailto:service@lte.com.tw) Tel:+886-2-26732512